

## Model FMB300 Filter Module Box

- 1 Channels
- DC Power
- Optional Battery Power Operation
- Single-Ended or Differential Input Configuration
- BNC and Terminal Block Connections
- Accepts Krohn-Hite 3A, 3B, 3C and 3D Modules



### DESCRIPTION

The Krohn-Hite Model FMB300 Filter Module Box is a compact filter chassis that provide housing for the Krohn-Hite Fixed Frequency Filter/Amplifier 3A, 3B, 3C and 3D series modules. Each chassis has BNC connectors for both single-ended/differential input and output connections. Internal sockets are provided for making installation and removal of the filter/amplifier modules easy when updating or changing to different type filter/amplifier module requirements. Battery power is available as an option (FMB300B).. Two high energy 9V batteries are recommended for this option.

### APPLICATIONS

Applications for the FMB300 includes: anti-alias filtering, data acquisition systems, aerospace (sonar and navigation), sound and vibration testing, medical electronics, communication systems, real and compressed time data analysis, noise elimination and signal reconstruction and more.

### SPECIFICATIONS *Specifications apply at $\pm 9\text{Vdc}$ to $\pm 15\text{Vdc}$ .*

**Number of Channels:** 1.

**Power Supply Voltage ( $\pm\text{Vs}$ ):** Operating range:  $\pm 9\text{Vdc}$  to  $\pm 15\text{Vdc}$ ; Maximum safe voltage:  $\pm 18\text{Vdc}$ .

**Current:** 35mA.

### USER DEFINED FILTER OPTIONS

**Type:** Butterworth or Bessel

**Function:** Low-pass, high-pass, band-pass.

**Cutoff (corner) Frequency:** Value between 0.1Hz to 1MHz,  $\pm 2\%$ , low-pass; 0.1Hz to 600kHz,  $\pm 2\%$ , high-pass. Frequency will depend on gain requirements.

**Number of Poles (dB/octave):** 1 (6dB), 2 (12dB), 3 (18dB), 4 (24dB) . . . 8 (48dB) and 16dB (96dB).

**Input Configuration:** Differential or single-ended (depends on the module options selected).

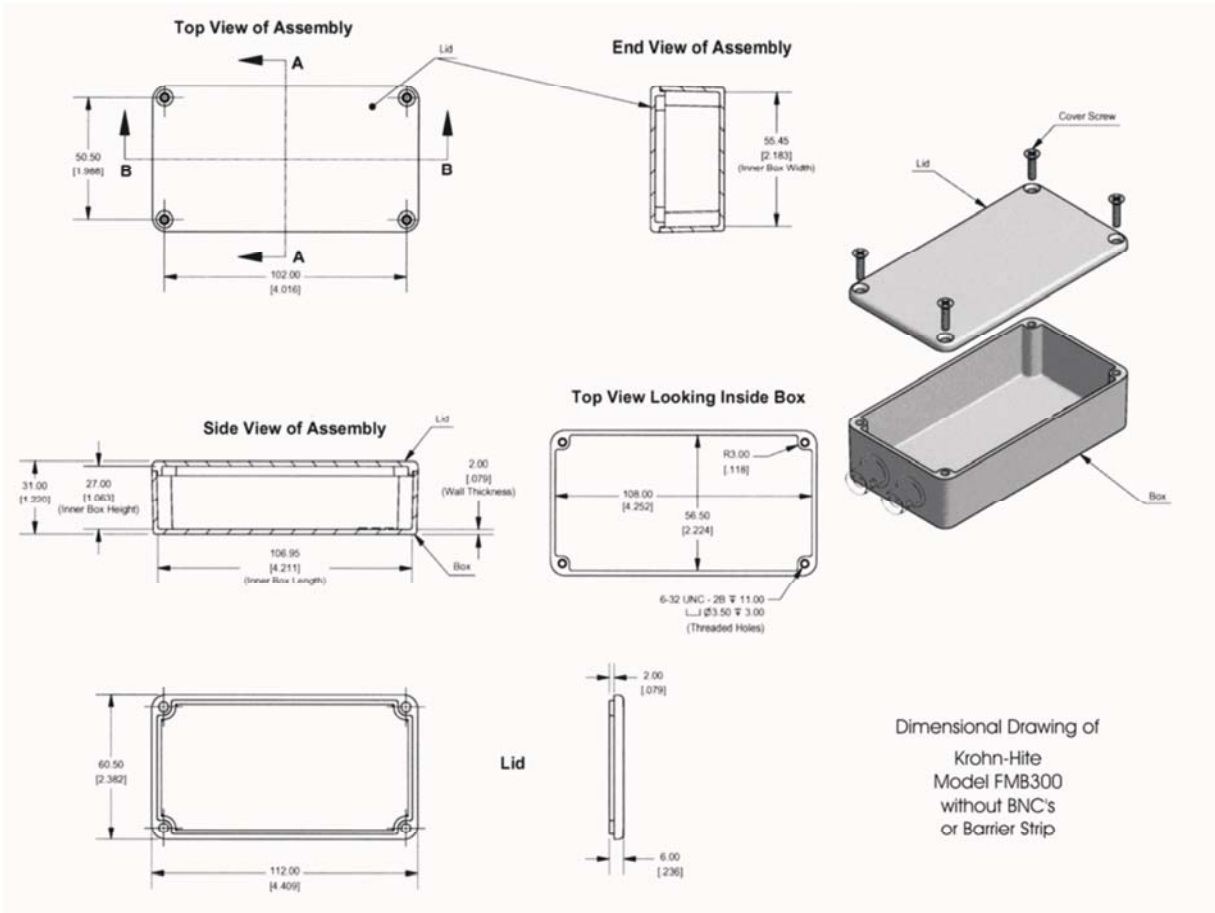
**Input Gain:** Any value between 1 and 100. It is recommended to amplify small input signals in order to improve overall signal-to-noise ratio.

**Output Gain:** Any value between 1 and 100.

### ACCESSORIES

3A, 3B, 3C and 3D Filter/Amplifier Modules

Specifications subject to change without notice.



北京泰瑞恩商贸有限公司  
Beijing Torion Trading Co.Ltd.

www.torion.cn  
sales@torion.cn

电话: 13801253818  
传真: 010-84067150

