

1200 SERIES

SMALL ENVELOPE SWIVEL



Operating Parameters

MEDIA

Water, Air, Hydraulic Fluid

PRESSURE

5,075 PSI

TEMPERATURE

392° F

SPEED

Swivel

MATERIAL

Nickel Plated Steel

THREADS

- 1/4" to 2" NPT
- Other Threads Available

Features & Benefits

Small Profile

Perfect for small envelope dimensions.

Bi-Directional Swivel

Slow or swiveling rotation.

Hydraulic Applications

Suitable for hydraulic service.

No Lubrication

PTFE seals require no lubrication.

Easy Installation

Precision made wrench flats on center shaft for easy installation. Custom designs available.

Corrosion Resistant

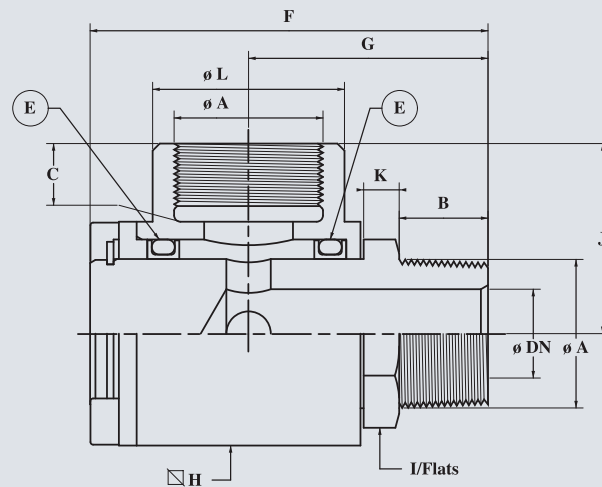
The 1200 Series is nickel plated as standard. Also available in stainless steel.

Thread Connections

NPT standard. SAE, JIC, DIN or ISO threads are available upon request.

1200 SERIES SWIVELS									
PART NUMBERS	Nominal Pipe Size	Nickel Plated Steel				Stainless Steel			
		Right Hand Thread		Left Hand Thread		Right Hand Thread		Left Hand Thread	
		Part Number	Description	Part Number	Description	Part Number	Description	Part Number	Description
	1/4	750981C	R1213SR2KNPT	760645C	L1213SR2KNPT	750988C	R1213SR2INPT	760653C	L1213SR2INPT
	3/8	750982C	R1217SR2KNPT	760646C	L1217SR2KNPT	750989C	R1217SR2INPT	760654C	L1217SR2INPT
	1/2	750983C	R1221SR2KNPT	760647C	L1221SR2KNPT	750990C	R1221SR2INPT	760655C	L1221SR2INPT
	3/4	750984C	R1227SR2KNPT	760648C	L1227SR2KNPT	750991C	R1227SR2INPT	760656C	L1227SR2INPT
	1	750985C	R1234SR2KNPT	760649C	L1234SR2KNPT	750992C	R1234SR2INPT	760657C	L1234SR2INPT
	1-1/4	750986C	R1242SR2KNPT	760650C	L1242SR2KNPT	750993C	R1242SR2INPT	760658C	L1242SR2INPT
	1-1/2	750987C	R1249SR2KNPT	760651C	L1249SR2KNPT	750994C	R1249SR2INPT	760659C	L1249SR2INPT

MAXIMUM OPERATING PRESSURE (psi)		
Nominal Pipe Size	Nickel Plated Steel	Stainless Steel
1/4	5,075	2,530
3/8	5,075	2,530
1/2	4,350	2,175
3/4	4,350	2,175
1	3,625	1,810
1-1/4	3,625	1,810
1-1/2	2,900	1,450
2	2,900	1,450



1200 SERIES SWIVEL (in.)													
DIMENSIONS	Nominal Pipe Size	Shaft Thread (A)	B	C	DN	E*	F	G	H	I (flats)	J	K	L
		1/4	1/4	.55	.47	.27	GR817SR	2.24	1.33	1.10	.82	1.02	.23
	3/8	3/8	.59	.55	.39	GR821SR	2.5	1.53	1.25	.90	1.18	.29	1.18
	1/2	1/2	.70	.59	.51	GR827SR	3.07	1.81	1.57	1.18	1.37	.31	1.49
	3/4	3/4	.86	.78	.70	GR834SR	3.60	2.18	1.96	1.65	1.77	.33	1.77
	1	1	.98	.86	.94	GR849SR	4.40	2.63	2.48	1.81	2.10	.39	2.15
	1-1/4	1-1/4	1.18	1.22	1.18	GR849SR	5.39	3.12	3.11	2.12	2.63	.37	2.75
	1-1/2	1-1/2	1.18	1.18	1.49	GR860SR	6.25	3.62	3.77	2.75	3.03	.47	3.74

* 2 Seals Per Joint