

ROTARY UNION



PRODUCT BULLETIN

DWA SERIES





ROTARY UNION



The NEW DWA Series Rotary Union from Duff Norton is designed for use in general purpose, moderate temperature water applications. Other solutions or oils may be used if they are non-corrosive to aluminum and compatible with nitrile rubber. The pipe plug installed in the end of the standard joint may be replaced with special elbows available from Duff-Norton to install either stationary or rotating siphon pipes for dual flow applications.

Applications

- Heating & Cooling Rolls
- Mixers
- Plastic Extruders
- Embossing Rolls
- Calendars

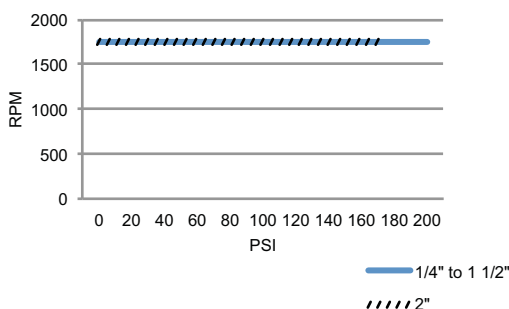
Operating Parameters

SPEED	TEMPERATURE
1750 RPM, 1750 - 3500 RPM (Reduce pressure rating 20%)	158° F (70° C) 159° F - 212° F (71° C - 100° C) (Reduce pressure rating 15%)

PRESSURE	MEDIA
200 PSI, (1.38 MPa) 180 PSI - 2" size only (1.24 MPa)	Water, non-corrosive fluids and oils

SIZES
1/2" to 2" NPT

Performance Chart



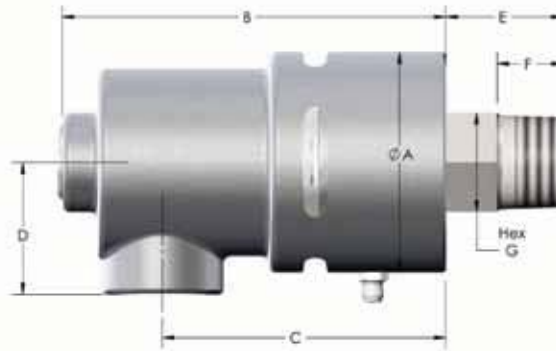
Product Features

- Silicon carbide / carbon graphite seal faces provide long service life
- Short dry run capability for initial machine start up
- High precision ball bearings for smooth running and long life, even at high speeds
- Internal bearing protection and vented body to prevent lubricant washout
- Aluminum housing with stainless steel shaft
- No maintenance required

Performance & Warranty

The DWA Series Rotary Union has been tested in our lab and is covered by a one year warranty against defective materials or workmanship. Durability tests have been run at 200 psi and 1500 RPM.

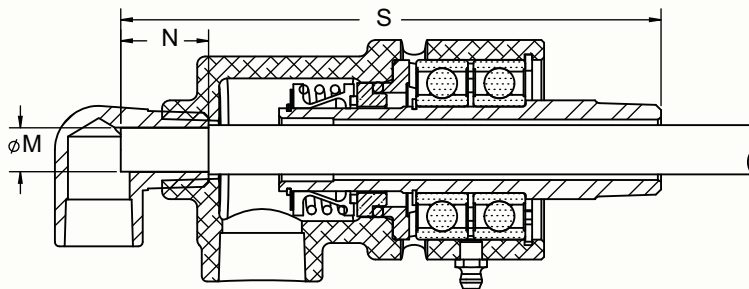
For warranty conditions, go to www.duffnorton.com/ru/warranty



MONO FLOW • Part Numbers • Dimensions										
Thread size	Part Numbers		Dimensions: in. (cm)							
	Right Hand	Left Hand	A	B	C	D	E	F	G	
1/2"	NPT	192003036	192003037	2.31 (5.87)	4.03 (10.24)	3.03 (7.70)	1.30 (3.30)	1.23 (3.12)	0.75 (1.91)	1.00 (2.54)
	BSP	192011116	192011118							
	BSPP	192011119	192011120							
3/4"	NPT	192003038	192003039	2.50 (6.35)	4.35 (11.05)	3.21 (8.15)	1.50 (3.81)	1.33 (3.38)	0.75 (1.91)	1.12 (2.84)
	BSP	192011121	192011122							
	BSPP	192011123	192011124							
1"	NPT	192003040	192003041	3.25 (8.26)	4.93 (12.52)	3.53 (8.97)	1.75 (4.45)	1.50 (3.81)	0.94 (2.39)	1.50 (3.81)
	BSP	192011125	192011126							
	BSPP	192011127	192011128							
1-1/2"	NPT	192003042	192003043	4.00 (10.16)	5.91 (15.01)	4.16 (10.57)	2.20 (5.59)	2.30 (5.84)	1.06 (2.69)	2.25 (5.72)
	BSP	192011129	192011130							
	BSPP	192011131	192011132							
2"	NPT	192003044	192003045	4.50 (11.43)	6.32 (16.05)	4.38 (11.13)	2.45 (6.22)	2.61 (6.63)	1.12 (2.84)	2.50 (6.35)
	BSP	192011133	192011134							
	BSPP	192011135	192011136							



FOR YOUR **LIQUID TRANSFER** NEEDS



DUAL FLOW • Elbow Part Numbers • Dimensions											
Nominal Pipe Size	Siphon size	Elbows for Stationary Siphon Tubes				Elbows for Rotating Siphon Tubes					
		Part Number	"M"	"N"	Length "S"	Part Number	"M"	"N"	Length "S"		
1/2"	1/8" NPT	465408C	3/8	1.00	5.66 (14.38)	451245C	0.370/0.371 (0.940/0.942)	1.00	5.84		
	3/8" Dia. Tubing	465410C	(0.95)	(2.54)	5.84 (14.83)					(14.83)	
3/4"	1/8" NPT	465401C	1/2	1.00	5.97 (15.16)	451243C	0.495/0.496 (1.257/1.260)	1.00	6.15		
	1/4" NPT	465402C			(2.54)					6.11 (15.52)	(15.62)
	1/2" Dia. Tubing	465404C								6.15 (15.62)	
1"	1/4" NPT	465411C	5/8	1.00	6.85 (17.40)	451246C	0.612/0.619 (1.554/1.572)	1.00	6.89		
	3/8" NPT	465412C			(2.54)					6.72 (17.07)	(17.50)
	5/8" Dia. Tubing	465413C								6.89 (17.50)	
1-1/2"	1/2" NPT	465405C	1	1.50	8.45 (21.46)	451244C	0.743/0.745 (1.887/1.892)	1.50	9.02		
	3/4" NPT	465406C			(2.54)					8.40 (21.34)	(22.91)
	1" Dia. Tubing	465407C								9.02 (22.91)	
2"	1/2" NPT	465405C	1	1.50	9.17 (23.29)	451244C	0.998/1.000 (2.535/2.540)	1.50	9.75		
	3/4" NPT	465406C			(2.54)					9.12 (23.16)	(24.77)
	1" Dia. Tubing	465407C								9.75 (24.77)	

NOTE: Elbows with BSP threads available in all sizes - contact the factory for information



Duff-Norton Rotary Unions transfer media (water, steam, air, oil, hydraulic fluid, etc) from a stationary source to rotating machinery, such as a drum or an indexing table. They are used in process industries such as; paper, printing, rubber and plastics, textile and chemical. Rotary Unions are also used on cranes, machine tools and many other applications.

To find out how Duff-Norton engineers and technicians can design and install a solution that's customized to your specific requirements please contact us at 704-588-4610.



北京泰瑞恩商贸有限公司
Beijing Torion Trading Co.,Ltd.

Tel:13801253818 Fax:010-84067150
www.torion.cn sales@torion.cn

PB-DWA-01
5m 3/14

© 2014 Duff-Norton. All Rights Reserved.