

CN 通用系列

UK Rotoflux Universal

D Rotoflux Universal Ausführung

I Rotoflux Universale

$1/4'' \div 2''$



水 - Water - Wasser - Acqua	1/4" ÷ 1 1/2" ⇒ 50 bar / 725 PSI 2" ⇒ 40 bar / 580 PSI	130°C / 265°F	1/4" ÷ 3/4" ⇒ 3.500 1" ⇒ 3.000
热油 - Hot Oil Thermoöl - Olio Diatermico	5 bar / 70 PSI	180°C / 355°F	1 1/4" ÷ 1 1/2" ⇒ 2.500 2" ⇒ 750

CN 通用系列

- 不允许在不与ROTOFLUX客户服务部门协商的情况下，超过旋转接头的极限而用。
- 在冷却水到达50度时，液压力不要超过8bar。在应用中，当热油的温度超过175度时，转速不宜超过300rpm。在有正、反转向的应用时，建议选用有法兰的接头。此型号旋转接头，由于其设计简洁、价位合理，被应用在许多场合。
- 下面两组密封组合均可由客户选用：
N型（标准型）— 石墨密封，应用于过滤水、热油、饱和水蒸汽的间歇供给情形。
D型（重负荷型）— 碳化钨密封，应用于劣质过滤水及磨削液的密封。

D ROTOFLUX UNIVERSAL AUSFÜHRUNG

Mit zwei unterschiedlichen, feinstgeläpften Dichtungen lieferbar:

- **N-Dichtungen (normale Ausführungen)** aus Kohlegraphit gegen Karbid, für Anwendungen mit gefiltertem Wasser und Thermoöl.
- **D- Dichtungen (für hohe Beanspruchungen)** aus Karbid gegen Karbid, für Anwendungen mit schlecht gefiltertem Wasser und abrasiven Medien.

Mediendrucke über 8 bar sind nur für Anwendungen mit kaltem Wasser bis zu Temperatur von 50°C zulässig. Für Anwendungen mit Thermoöl und Temperatur über 150°C darf eine maximale Drehzahl von 300 U/min nicht überschritten werden. Die Durchführungen nicht unter den maximalen Betriebsbedingungen verwenden, ohne sich vorher mit dem ROTOFLUX Kundendienst abgesprochen zu haben.

UK ROTOFLUX UNIVERSAL

These unions are available with two different balance and microlapped sealing assemblies :

- **N Seal (Standard Sealing)** with carbon graphite to carbide seals for application with filtered water, hot oil.
- **D Seal (Heavy duty sealing)** with carbide to carbide seals for poor filtrated water or abrasive fluids.

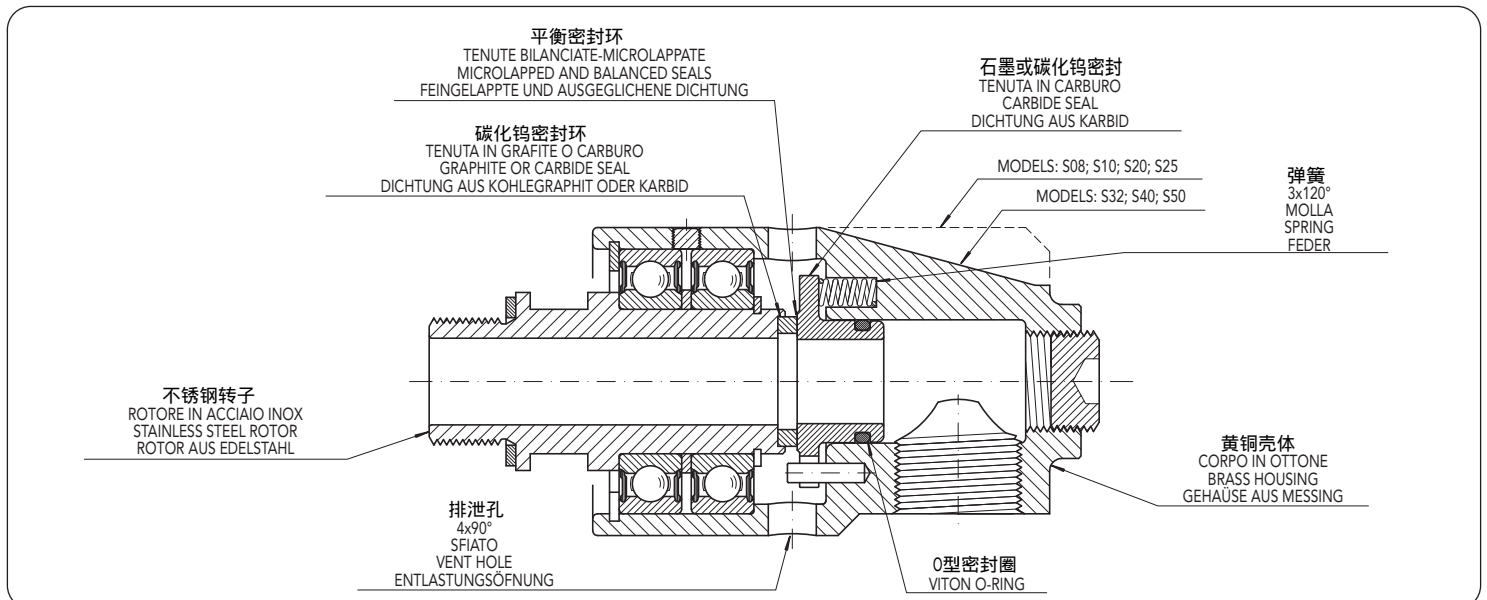
Fluid pressure over 8 bar is allowed only when the fluid is cool water at max temperature 125°F (50°C). In applications with hot oil at temperature over 300°F (150°C) max rotation speed is 300 RPM . Do not use the unions at max application limits without consulting ROTOFLUX.

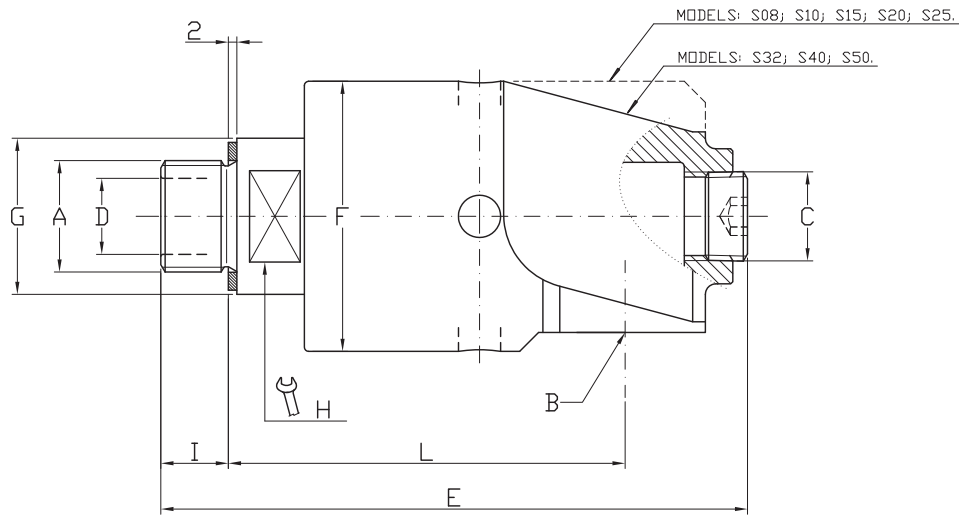
I ROTOFLUX UNIVERSALE

Questi giunti sono disponibili con due tipi di tenute meccaniche bilanciate- microlappate:

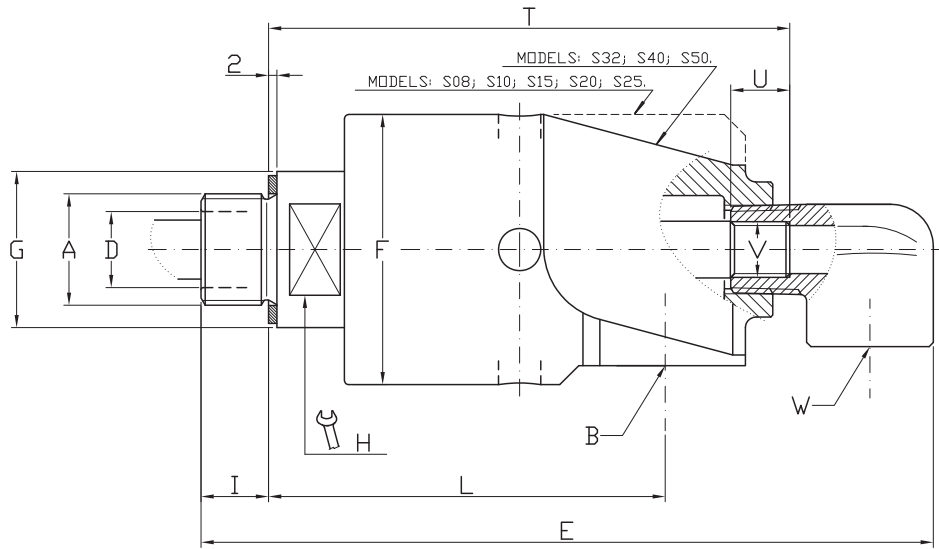
- **Tenute N (Tenute Normali)** in grafite contro carburo per applicazioni con acqua filtrata e olio diatermico.
- **Tenute D (Tenute Dure)** in carburo contro carburo per applicazioni con acqua sporca e fluidi abrasivi.

Pressioni sopra 8 bar sono ammesse solo con acqua ad una temperatura max. di 50°C. Per applicazioni con olio diatermico oltre i 150°C la velocità di rotazione max consentita è di 300 rpm. Non utilizzare i giunti alle massime condizioni di esercizio senza consultare ROTOFLUX.

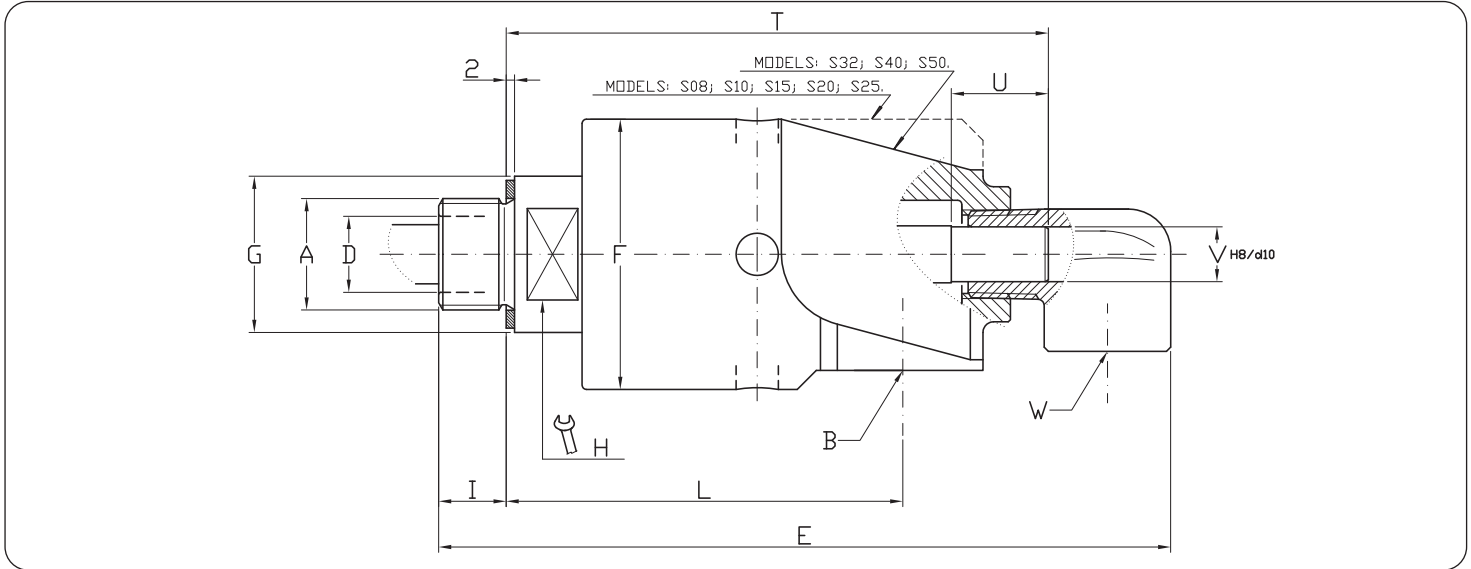




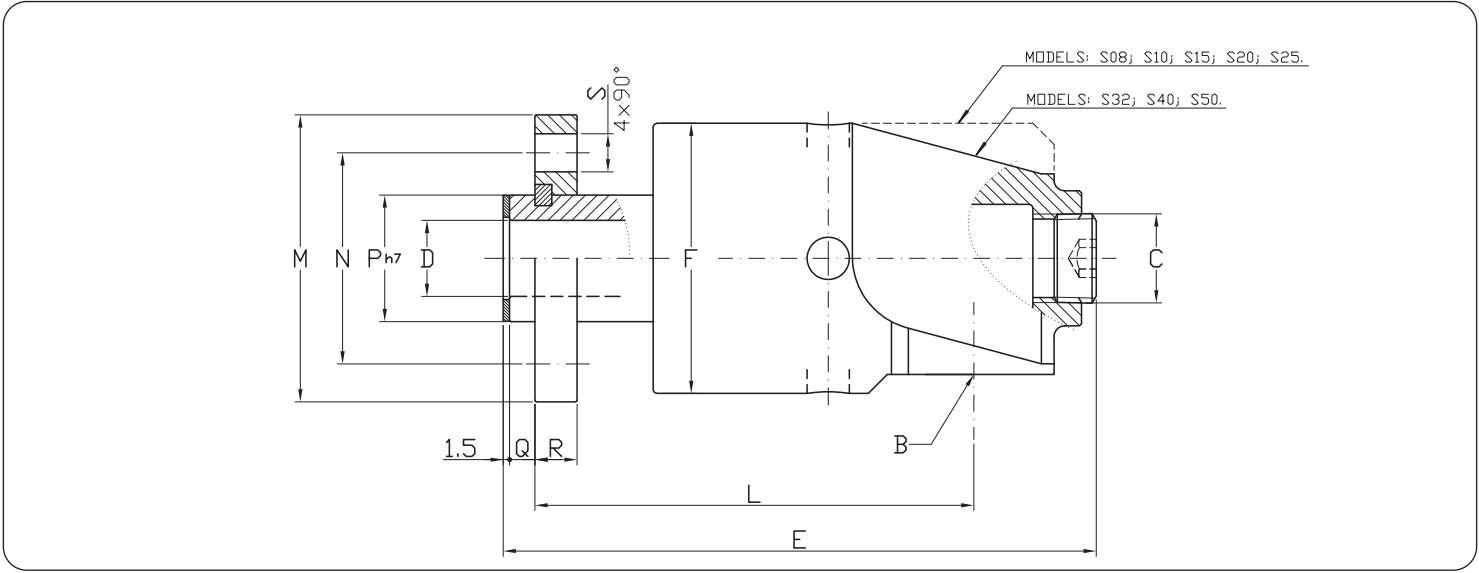
型号 Ordering Code			单一通路 Single passage unions												
水 Water	N	水 Water	D	热油 Hot Oil	A	B	C	ø D	E	ø F	ø G	H	I	L	KG.
	S08-300-01R	S08-301-01R	S08-400-01R	G 1/4" RH	G 1/4"	-	7	88	43	20	17	11	67	0,6	
	S08-300-02L	S08-301-02L	S08-400-02L	G 1/4" LH											
	S10-300-01R	S10-301-01R	S10-400-01R	G 3/8" RH	G 3/8"	G 1/4"	9	106	43	25	17	13	73	0,7	
	S10-300-02L	S10-301-02L	S10-400-02L	G 3/8" LH											
	S15-300-01R	S15-301-01R	S15-400-01R	G 1/2" RH	G 1/2"	G 3/8"	13	120	55	30	24	13	82	1,3	
	S15-300-02L	S15-301-02L	S15-400-02L	G 1/2" LH											
	S20-300-01R	S20-301-01R	S20-400-01R	G 3/4" RH	G 3/4"	G 1/2"	18	139	64	37	30	16	94	1,8	
	S20-300-02L	S20-301-02L	S20-400-02L	G 3/4" LH											
	S25-300-01R	S25-301-01R	S25-400-01R	G 1" RH	G 1"	G 3/4"	23	162	70	45	36	20	105	2,2	
	S25-300-02L	S25-301-02L	S25-400-02L	G 1" LH											
	S32-300-01R	S32-301-01R	S32-400-01R	G 1 1/4" RH	G 1 1/4"	G 1"	31	181	85	55	46	22	119	3,5	
	S32-300-02L	S32-301-02L	S32-400-02L	G 1 1/4" LH											
	S40-300-01R	S40-301-01R	S40-400-01R	G 1 1/2" RH	G 1 1/2"	G 1 1/4"	36	208	92	60	50	24	132	5	
	S40-300-02L	S40-301-02L	S40-400-02L	G 1 1/2" LH											
	S50-300-01R	S50-301-01R	S50-400-01R	G 2" RH	G 2"	G 1 1/4"	48	223	110	70	60	25	139	8,2	
	S50-300-02L	S50-301-02L	S50-400-02L	G 2" LH											



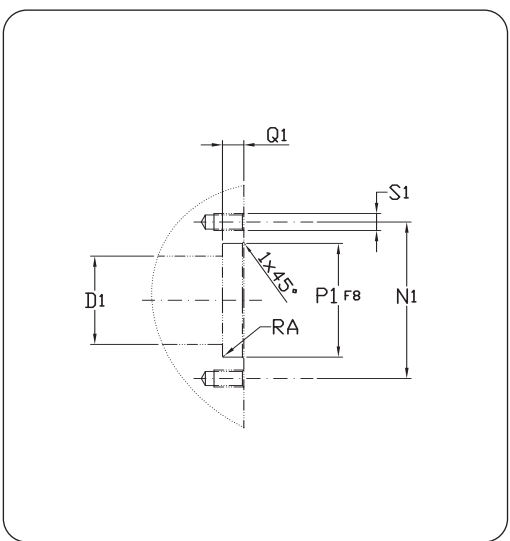
型号 Ordering Code			双通路 固定虹吸管 Double passage stationary siphon															
水 Water	N	水 Water	D	热油 Hot Oil	A	B	ø D	E	ø F	ø G	H	I	L	T	U	V	W	KG.
S10-300-01R-800	S10-301-01R-800	S10-400-01R-800	G 3/8" RH	G 3/8" LH	9	129	43	25	17	13	73	92	10	M6	G 1/4"	0,8		
S10-300-02L-800	S10-301-02L-800	S10-400-02L-800	G 3/8" RH	G 3/8" LH	13	146	55	30	24	13	82	105	12	G 1/8"	G 3/8"	1,4		
S15-300-01R-800	S15-301-01R-800	S15-400-01R-800	G 3/4" RH	G 3/4" LH	18	173	64	37	30	16	94	123	14	G 1/4"	G 1/2"	1,9		
S15-300-02L-800	S15-301-02L-800	S15-400-02L-800	G 1" RH	G 1" LH	23	200	70	45	36	20	105	144	16	G 3/8"	G 1/2"	2,5		
S20-300-01R-800	S20-301-01R-800	S20-400-01R-800	G 1 1/4" RH	G 1 1/4" LH	31	224	85	55	46	22	119	158	16	G 1/2"	G 3/4"	3,9		
S20-300-02L-800	S20-301-02L-800	S20-400-02L-800	G 1 1/2" RH	G 1 1/2" LH	36	256	92	60	50	24	132	177	18	G 3/4"	G 1"	5,4		
S25-300-01R-800	S25-301-01R-800	S25-400-01R-800	G 2" RH	G 2" LH	48	281	110	70	60	25	139	193	20	G 1"	G 1 1/4"	8,6		
S25-300-02L-800	S25-301-02L-800	S25-400-02L-800																



型号 Ordering Code			双通路 旋转虹吸管 Double passage rotating siphon														KG.
水 Water	N	水 Water	D	热油 Hot Oil	A	B	ø D	E	ø F	ø G	H	I	L	T	U	ø V	
S10-300-01R-810	S10-301-01R-810	S10-400-01R-810	G 3/8" RH	G 3/8" LH	G 3/8"	9	129	43	25	17	13	73	97	20	6	G 1/4"	0,8
S10-300-02L-810	S10-301-02L-810	S10-400-02L-810	G 3/8" RH	G 3/8" LH	G 3/8"	13	146	55	30	24	13	82	110	22	10	G 3/8"	1,4
S15-300-01R-810	S15-301-01R-810	S15-400-01R-810	G 1/2" RH	G 1/2" LH	G 1/2"	18	173	64	37	30	16	94	129	24	13	G 1/2"	1,9
S15-300-02L-810	S15-301-02L-810	S15-400-02L-810	G 1/2" RH	G 1/2" LH	G 1/2"	23	200	70	45	36	20	105	148	25	16	G 1/2"	2,5
S20-300-01R-810	S20-301-01R-810	S20-400-01R-810	G 3/4" RH	G 3/4" LH	G 3/4"	31	224	85	55	46	22	119	162	26	22	G 3/4"	3,9
S20-300-02L-810	S20-301-02L-810	S20-400-02L-810	G 3/4" RH	G 3/4" LH	G 3/4"	36	256	92	60	50	24	132	183	30	26	G 1"	5,4
S25-300-01R-810	S25-301-01R-810	S25-400-01R-810	G 1" RH	G 1" LH	G 1"	48	281	110	70	60	25	139	199	34	32,2	G 1 1/4"	8,6
S25-300-02L-810	S25-301-02L-810	S25-400-02L-810	G 1" RH	G 1" LH	G 1"												
S32-300-01R-810	S32-301-01R-810	S32-400-01R-810	G 1 1/4" RH	G 1 1/4" LH	G 1 1/4"												
S32-300-02L-810	S32-301-02L-810	S32-400-02L-810	G 1 1/4" RH	G 1 1/4" LH	G 1 1/4"												
S40-300-01R-810	S40-301-01R-810	S40-400-01R-810	G 1 1/2" RH	G 1 1/2" LH	G 1 1/2"												
S40-300-02L-810	S40-301-02L-810	S40-400-02L-810	G 1 1/2" RH	G 1 1/2" LH	G 1 1/2"												
S50-300-01R-810	S50-301-01R-810	S50-400-01R-810	G 2" RH	G 2" LH	G 2"												
S50-300-02L-810	S50-301-02L-810	S50-400-02L-810	G 2" RH	G 2" LH	G 2"												



型号 Ordering Code			单一通路 Single passage unions														
水 Water	N	水 Water	D	热油 Hot Oil	B	C	ø D	E	ø F	L	ø M	ø N	ø Ph7	Q	R	S	KG.
S10-300-03F	S10-301-03F	S10-400-03F	G 3/8"	G 1/4"	9	109	43	82	53	38	18	6	8	9	0,8		
S15-300-03F	S15-301-03F	S15-400-03F	G 1/2"	G 3/8"	13	125	55	92	60	45	25	6	10	9	1,5		
S20-300-03F	S20-301-03F	S20-400-03F	G 3/4"	G 1/2"	18	137	64	101	68	50	30	6	10	9	2		
S25-300-03F	S25-301-03F	S25-400-03F	G 1"	G 3/4"	23	164	70	119	78	60	36	7	12	9	2,6		
S32-300-03F	S32-301-03F	S32-400-03F	G 1 1/4"	G 1"	31	182	85	133	94	70	44	8	12	11	4		
S40-300-03F	S40-301-03F	S40-400-03F	G 1 1/2"	G 1 1/4"	36	203	92	139	99	78	52	10	14	11	5,5		
S50-300-03F	S50-301-03F	S50-400-03F	G 2"	G 1 1/4"	48	224	110	154	119	95	65	10	14	11	9		



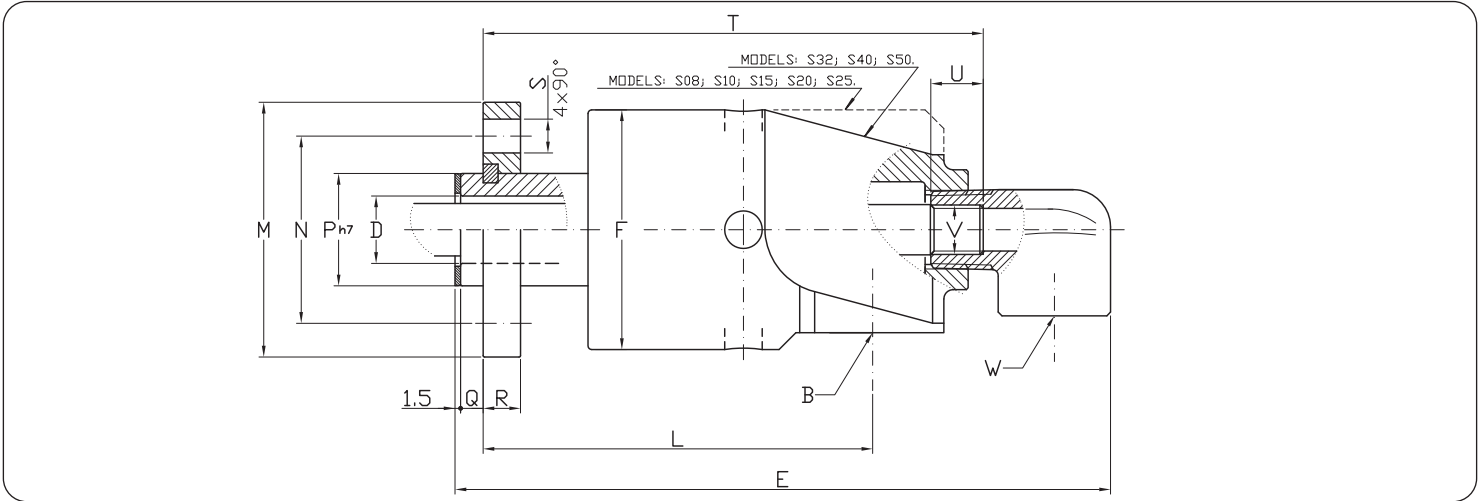
CN 安装方式

UK Union Installation

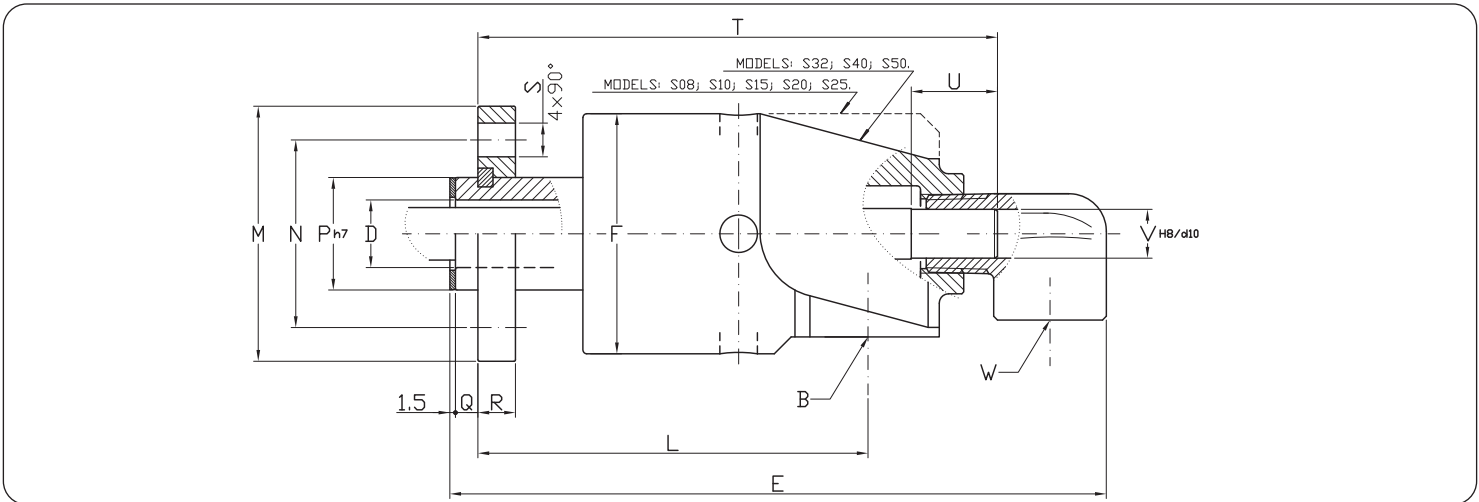
D Montageanweisungen

I Istruzioni di montaggio

	ø D1	ø N1	ø P1 F8	RA	Q1	ø S1
S10	9	38	18	0,2	6	M8 4x90°
S15	13	45	25	0,2	6	M8 4x90°
S20	18	50	30	0,2	6	M8 4x90°
S25	23	60	36	0,2	7	M8 4x90°
S32	31	70	44	0,2	8	M10 4x90°
S40	36	78	52	0,2	10	M10 4x90°
S50	48	95	65	0,2	10	M10 4x90°



型号 Ordering Code			双通路 固定虹吸管 Double passage stationary siphon															KG.	
水 Water	N	水 Water	D	热油 Hot Oil	B	ø D	E	ø F	L	ø M	ø N	ø P h7	Q	R	S	T	U		V
S10-300-03F-800	S10-301-03F-800	S10-400-03F-800	G 3/8"	9	132	43	82	53	38	18	6	8	9	101	10	M6	G 1/4"	G 3/8"	0,9
S15-300-03F-800	S15-301-03F-800	S15-400-03F-800	G 1/2"	13	151	55	92	60	45	25	6	10	9	115	12	G 1/8"	G 3/8"	1,6	
S20-300-03F-800	S20-301-03F-800	S20-400-03F-800	G 3/4"	18	172	64	101	68	50	30	6	10	9	130	14	G 1/4"	G 1/2"	2,1	
S25-300-03F-800	S25-301-03F-800	S25-400-03F-800	G 1"	23	202	70	119	78	60	36	7	12	9	158	16	G 3/8"	G 1/2"	2,9	
S32-300-03F-800	S32-301-03F-800	S32-400-03F-800	G 1 1/4"	31	225	85	133	94	70	44	8	12	11	172	16	G 1/2"	G 3/4"	4,4	
S40-300-03F-800	S40-301-03F-800	S40-400-03F-800	G 1 1/2"	36	251	92	139	99	78	52	10	14	11	185	18	G 3/4"	G 1"	5,9	
S50-300-03F-800	S50-301-03F-800	S50-400-03F-800	G 2"	48	282	110	154	119	95	65	10	14	11	208	20	G 1"	G 1 1/4"		



型号 Ordering Code			双通路 旋转虹吸管 Double passage rotating siphon															KG.	
水 Water	N	水 Water	D	热油 Hot Oil	B	ø D	E	ø F	L	ø M	ø N	ø P h7	Q	R	S	T	U		V
S10-300-03F-810	S10-301-03F-810	S10-400-03F-810	G 3/8"	9	132	43	82	53	38	18	6	8	9	106	20	6	G 1/4"	G 3/8"	0,9
S15-300-03F-810	S15-301-03F-810	S15-400-03F-810	G 1/2"	13	151	55	92	60	45	25	6	10	9	120	22	10	G 3/8"	G 3/8"	1,6
S20-300-03F-810	S20-301-03F-810	S20-400-03F-810	G 3/4"	18	172	64	101	68	50	30	6	10	9	136	22	13	G 1/2"	G 1/2"	2,1
S25-300-03F-810	S25-301-03F-810	S25-400-03F-810	G 1"	23	202	70	119	78	60	36	7	12	9	161	25	16	G 1/2"	G 1/2"	2,9
S32-300-03F-810	S32-301-03F-810	S32-400-03F-810	G 1 1/4"	31	225	85	133	94	70	44	8	12	11	176	26	22	G 3/4"	G 3/4"	4,4
S40-300-03F-810	S40-301-03F-810	S40-400-03F-810	G 1 1/2"	36	251	92	139	99	78	52	10	14	11	190	30	26	G 1"	G 1"	5,9
S50-300-03F-810	S50-301-03F-810	S50-400-03F-810	G 2"	48	282	110	154	119	95	65	10	14	11	214	34	32,2	G 1 1/4"	G 1 1/4"	9,4