

CN 大流量

$2\frac{1}{2}'' \div 5''$

UK Rotoflux large capacity

D Rotoflux für grosse Durchflussmengen

I Rotoflux grandi portate



水 - Water - Wasser - Acqua	10 bar / 145 PSI	120°C / 245°F	750 G/m ³ RPM

CN 大流量

不允许在不与ROTOFLUX客户服务部门协商的情况下，超过旋转接头的极限而使用。

S65和S80型旋转接头，有大而通畅的管道，可配合大流量适用。旋转接头配有微研磨的平衡密封圈，使用加硬的不锈钢材质和石墨轴心。得益于特殊的设计，密封圈可以适时更换，以节省维修时间和成本。

UK ROTOFLUX LARGE CAPACITY

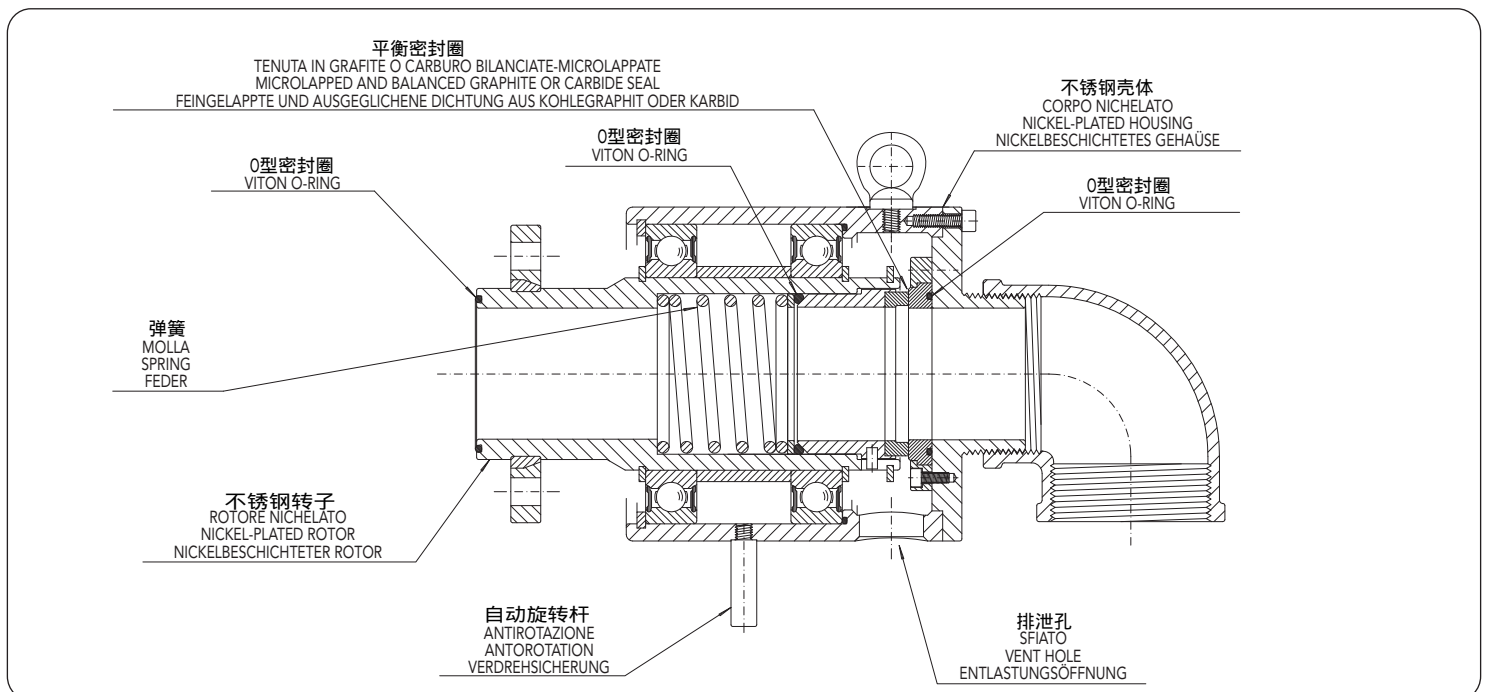
The unions ROTOFLUX S65, S80, S100 and S125, thanks to large free passages, are used when large fluid flows are needed. They are provided with balanced and microlapped seals made with carbide and carbon graphite. The special design of the seals allows to change, when needed only the seal rings so reducing at minimum servicing time and cost.

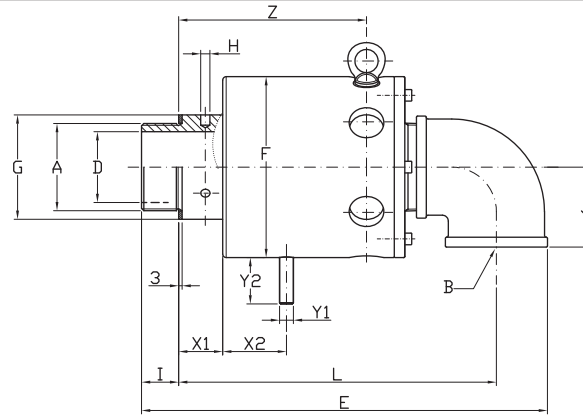
D ROTOFLUX FÜR GROSSE DURCHFLUSSMENGEN

Die Drehdurchführungen der Modelle ROTOFLUX S65, S80, S100 und S125 gelangen dann zum Einsatz, wenn große Durchflussmengen erforderlich sind. Sie sind mit Dichtungen aus Karbid gegen imprägniertes Kohlegraphit ausgestattet, ausgeglichen und feingeläppt. Dank der besonderen Auslegung der Dichtungen brauchen lediglich die Dichtungsringe ausgetauscht zu werden, was Kosten und Serviceaufwand einspart.

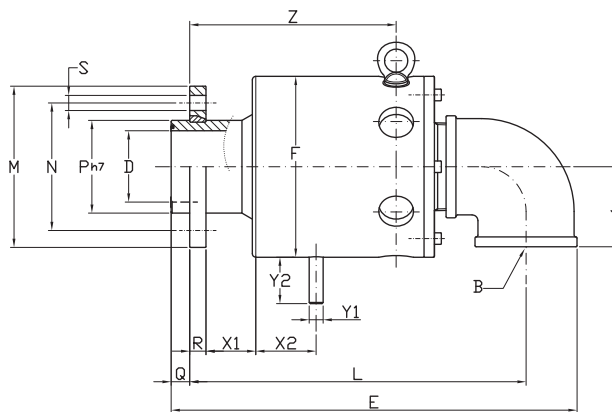
I ROTOFLUX GRANDI PORTATE

I giunti ROTOFLUX S65, S80, S100 e S125, con grande passaggio libero del fluido, sono impiegati dove è richiesta una grande portata d'acqua. Essi sono provvisti di tenute bilanciate e microlappate in carburo contro grafite impregnata. Il disegno particolare delle tenute permette la sostituzione dei soli anelli di strisciamento riducendo al minimo costo e tempo di manutenzione.

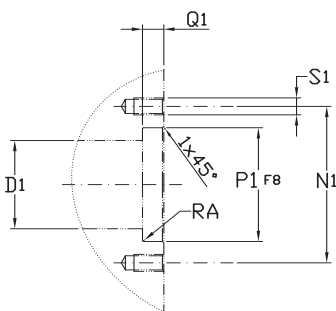




型号 Ordering Code	单一通路 Single passage unions																
水 Water	A	B	ø D	E	ø F	ø G	ø H	I	J	L	X1	X2	ø Y1	Y2	Z	KG.	
S65-300-01R	G 2 1/2" RH	G 2 1/2"	61	350	156	90	8	6x60°	32	69	274	38	55	12	40	162	17
S65-300-02L	G 2 1/2" LH																
S80-300-01R	G 3" RH	G 3"	73	412	188	110	10	6x60°	37	78	321	45	66	12	40	195	23
S80-300-02L	G 3" LH																



型号 Ordering Code	单一通路 Single passage unions																		
水 Water	B	ø D	E	ø F	J	L	ø M	ø N	ø P h7	Q	R	ø S	X1	X2	ø Y1	Y2	Z	KG.	
S65-300-03F	G 2 1/2"	62	350	156	69	290	139	110	80	16	14	13	6x60°	40	55	12	40	178	18
S80-300-03F	G 3"	77	412	188	78	337	165	135	100	21	16	13	8x45°	45	66	12	40	211	24
S100-300-03F	G 4"	98	500	240	94	409	215	170	120	26	20	18	8x45°	51	82	18	46	261	50
S125-300-03F	G 5"	120	591	282	115	481	245	200	150	31	22	18	8x45°	53	100	18	41	307	85



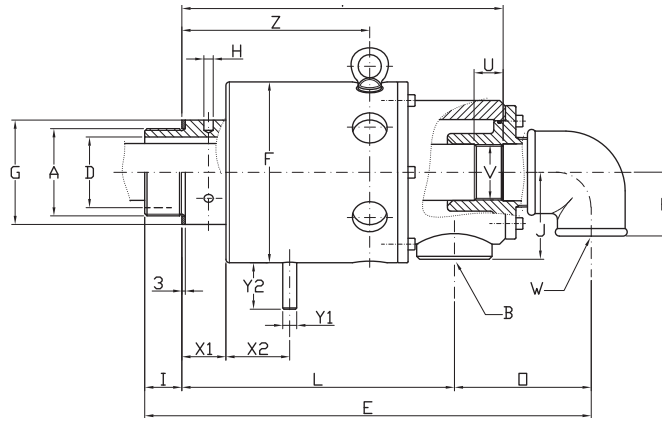
CN 安装方式

UK Union Installation

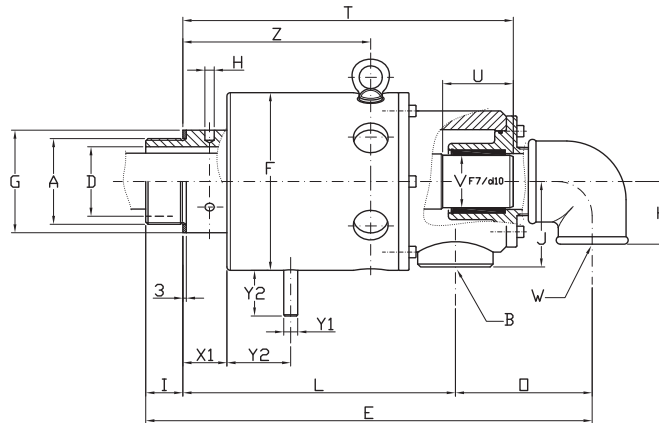
D Montageanweisungen

I Istruzioni di montaggio

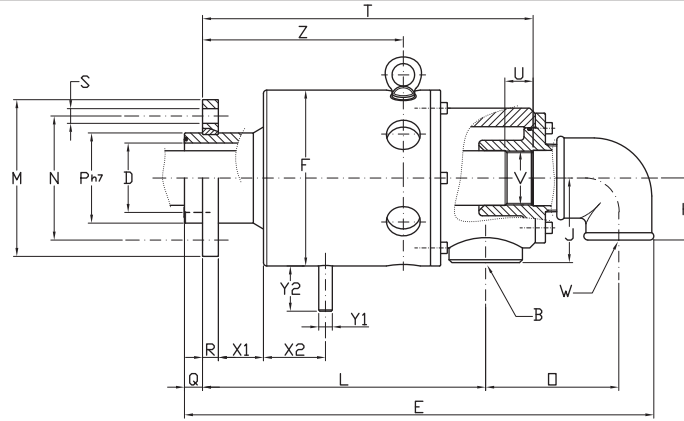
	ø D1	ø N1	ø P1 F8	RA	Q1	ø S1
S65	62	110	80	0,4	15	M12 6x60°
S80	77	135	100	0,4	20	M12 8x45°
S100	98	170	120	0,4	25	M16 8x45°
S125	120	200	150	0,4	30	M16 8x45°



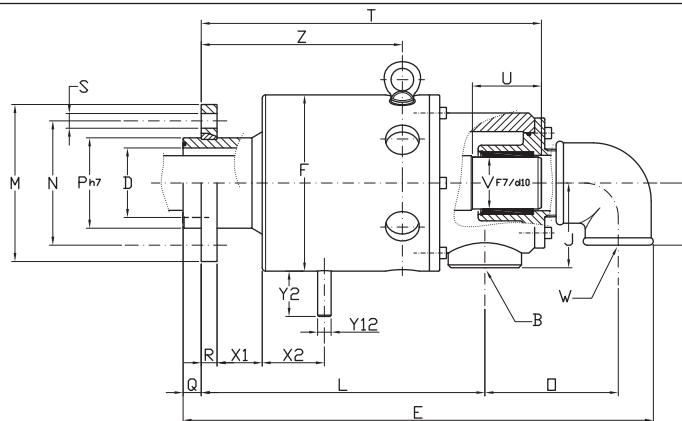
型号 Ordering Code	双通路 固定虹吸管 Double passage stationary siphon																					
水 Water	A	B	øD	E	øF	øG	øH	I	J	K	L	O	T	U	V	W	X1	X2	øY1	Y2	Z	KG.
S65-300-01R-800	G 2 ¹ / ₂ " RH	G 2 ¹ / ₂ "	61	416	156	90	8 6x60°	32	75	55	235	118	278	23	G 1 ¹ / ₂ "	G 1 ¹ / ₂ "	38	55	12	40	162	20
S65-300-02L-800	G 2 ¹ / ₂ " LH																					
S80-300-01R-800	G 3" RH	G 3"	73	487	188	110	10 6x60°	37	90	70	279	135	331	30	G 2"	G 2"	45	66	12	40	195	27
S80-300-02L-800	G 3" LH																					



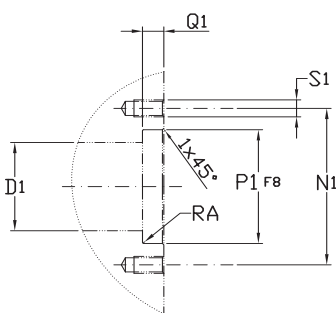
型号 Ordering Code	双通路 旋转虹吸管 Double passage rotating siphon																					
水 Water	A	B	øD	E	øF	øG	øH	I	J	K	L	O	T	U	øV	W	X1	X2	øY1	Y2	Z	KG.
S65-300-01R-810	G 2 ¹ / ₂ " RH	G 2 ¹ / ₂ "	61	416	156	90	8 6x60°	32	75	55	235	118	284	60	46	G 1 ¹ / ₂ "	38	55	12	40	162	20
S65-300-02L-810	G 2 ¹ / ₂ " LH																					
S80-300-01R-810	G 3" RH	G 3"	73	487	188	110	10 6x60°	37	90	70	279	135	337	70	58	G 2"	45	66	12	40	195	27
S80-300-02L-810	G 3" LH																					



型号 Ordering Code	双通路 固定虹吸管 Double passage stationary siphon																								
水 Water	B	ø D	E	ø F	J	K	L	ø M	ø N	ø O	ø P h7	Q	R	ø S	T	U	V	W	X1	X2	ø Y1	Y2	Z	KG.	
S65-300-03F-800	G 1½"	62	416	156	75	55	251	139	110	118	80	16	14	13	6x60°	294	23	G 1½"	G 1½"	40	55	12	40	178	21
S80-300-03F-800	G 2"	77	487	188	90	70	295	165	135	135	100	21	16	13	8x45°	347	30	G 2"	G 2"	45	66	12	40	211	30
S100-300-03F-800	G 2½"	98	589	240	110	78	361	215	170	155	120	26	20	18	8x45°	421	35	G 2½"	G 2½"	51	82	18	46	261	60
S125-300-03F-800	G 3"	120	718	282	120	78	423	245	200	210	150	31	22	18	8x45°	508	45	G 3"	G 3"	53	100	18	41	307	100



型号 Ordering Code	双通路 旋转虹吸管 Double passage rotating siphon																								
水 Water	B	ø D	E	ø F	J	K	L	ø M	ø N	ø O	ø P h7	Q	R	ø S	T	U	ø V	W	X1	X2	ø Y1	Y2	Z	KG.	
S65-300-03F-810	G 1½"	62	416	156	69	55	251	139	110	118	80	16	14	13	6x60°	300	60	46	G 1½"	40	55	12	40	178	21
S80-300-03F-810	G 2"	77	487	188	78	70	295	165	135	135	100	21	16	13	8x45°	353	70	58	G 2"	45	66	12	40	211	30
S100-300-03F-810	G 2½"	98	589	240	94	78	361	215	170	155	120	26	20	18	8x45°	430	80	75	G 2½"	51	82	18	46	261	60
S125-300-03F-810	G 3"	120	718	282	115	78	423	245	200	210	150	31	22	18	8x45°	518	100	88	G 3"	53	100	18	41	307	100



CN 安装方式

UK Union Installation

D Montageanweisungen

I Istruzioni di montaggio

	ø D1	ø N1	ø P1 F8	RA	Q1	ø S1
S65	62	110	80	0,4	15	M12 6x60°
S80	77	135	100	0,4	20	M12 8x45°
S100	98	170	120	0,4	25	M16 8x45°
S125	120	200	150	0,4	30	M16 8x45°